

PRODUCT SPECIFICATION

产品规格书

PRODUCT/产品名称: LED 恒流源

SAQCN P/N / 型号: SQD-643(643010) For 18-55V/240-260mA

CUSTOMER / 客户: _____

CUSTOMER P/N 客户物料编码: _____

DATE /日期: 2017/8/7

APPROVED BY/客户确认栏	NOTE / 备注
<p>CUSTOMER SIGNATURE (S) 客户签章</p>	<p>RoHS Available 环保品</p>

PREPARED BY / 编制: 赖森建

CHECKED BY / 审核: 冯艳波

APPROVED BY / 批准: 谭继荣

CONTENT / 目录

Revision Record / 变更记录表	P.3
1. General Description / 概述	P.4
2. Features / 特性	P.4
3. Application / 适用范围	P.4
4. Suitable Load / 适用负载	P.4
5. Environmental Condition / 适用环境条件	P.4
6. Input Electrical Characteristic / 输入参数	P.4
7. Output Electrical Characteristic / 输出电气参数	P.5
8. Pin Assignments / 插座引脚定义	P.5
9. Testing Circuit Diagram / 测试回路示意图	P.6
10. Mechanical Dimension / 结构示意图	P.7
11. Sample testing record / 样机测试记录	P.8
12. PCB Layout Diagram / 线路板印制图	P.9
13. Safety Parts List / 安規器件清單	P.10
14. Abnormal Condition Testing / 非正常工作条件	P.10
15. Notice / 注意事项	P.11

Revision Record /变更记录表

No. 序号	Date 变更日期	Version 版本	Reason of revision 变更原因	Content of revision 变更内容	Prepared by 变更人	Approved by 确认人

The information given in this document is carefully checked and believed to be reliable. SAQCN reserves the right to make changes in product or specification at any time and without further notice.

此文件经过仔细检查和核对，内容真实，赛其创新有权根据需要，在不另行通知情况下，改进产品或规格书。

1. General Description / 概述

This product is the LED driver, has the constant pressure constant flow multi groups outputs, is suitable in the LED lamp's application./

本产品为 **LED 驱动器**,具有恒压恒流多路输出,适用于 **LED 灯**的应用。

2. Features / 特性

High performance, low consumption. / 具有高能低耗特点。

Opening protection function(each) /开路保护功能(每一组)

Short protection function(each) /短路保护功能(每一组)

Over current function /过电流保护功能

3. Application / 适用范围

This product for each kind of LED display unit design, applies each kind of LED demonstration! / 本产品为各类 LED 显示部件设计,应用各类 LED 显示!

4. Suitable load / 适用负载

LED backlight LCD panel.

5. Environmental Condition / 适用环境条件

Operating temperature /工作温度: 0°C -- 50°C

Storage temperature / 贮存温度 : -20°C -- 60°C

Operating humidity / 工作湿度 : 10% -- 80%RH

Storage humidity / 贮存湿度 : 10% -- 93%RH

6. Input Electrical Characteristics /输入参数

No.	Item/项目	Symbol	Min	Type	Max	Unit
1	Input Voltage/输入电压	Vin(DC)	10	12	14	V
2	Input Current/输入电流	Iin		<1.6		A
3	Input Power/输入功率	Pin			16	W
4			-----	-----	-----	V
5						

7. Output electrical characteristics / 输出电气参数

Item 项目	Symbol 符号	Test Conditions 测试条件	Min 最小值	Type 规格值	Max 最大值	Unit 单位
Output Current 输出电流	Iout	Vin(DC)=12V	220	240	260	mA
Output Voltage 输出电压	Vout	Vin(DC)=12V;	18		55	V
Efficiency 效率	η	Vin(DC)=12V;	---	90	---	%

8. Pin assignments / 插座引脚定义

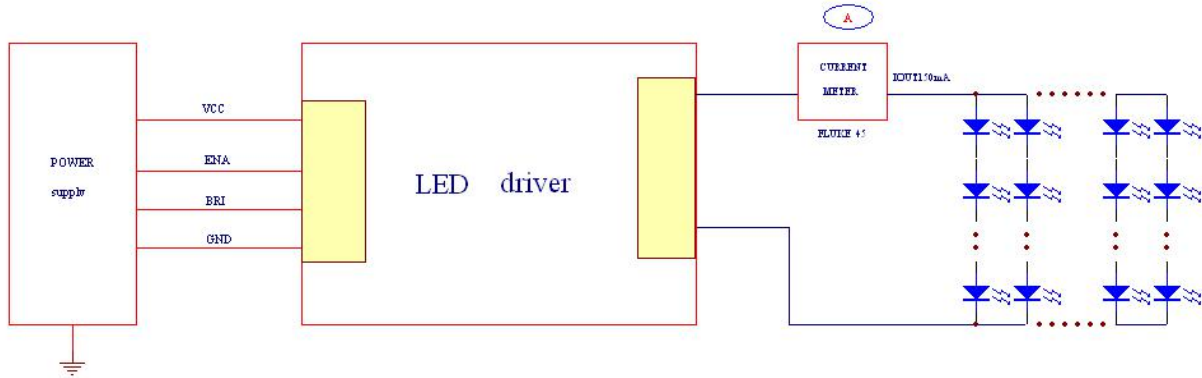
Input connector /输入插座: CON1: 6P-2.0mm

Pin No./引脚	Symbol/符号	Description/描述	Parameter/参数
1	VCC	Supply voltage/供电	10.0---14.0V
2	VCC	Supply voltage/供电	10.0---14.0V
3	ENA	On/Off Voltage/ 开关机控制	2-5V On / 0-1V Off
4	ADJ	Bright Voltage/ 亮度控制	0-5V 0V 最亮
5	GND	Ground/接地	0V
6	GND	Ground/接地	0V

Output connector/输出插座: CON5: 2P-2.0mm

Pin No./引脚	Symbol/符号	Description/描述	Parameter/参数
1	VLED	LED Power Supply	
2	IRLED	LED Current Sense	

9. Testing circuit diagram / 测试回路示意图

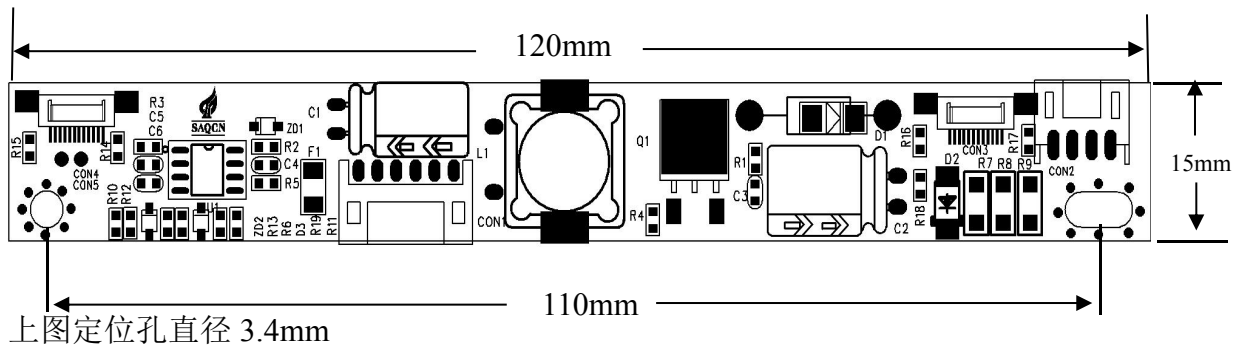


10. Mechanical Dimension / 结构示意图

Dimension of P.C.B. / PCB 机械尺寸

Unit/单位: mm

Tolerance/公差: $\pm 0.5\text{mm}$



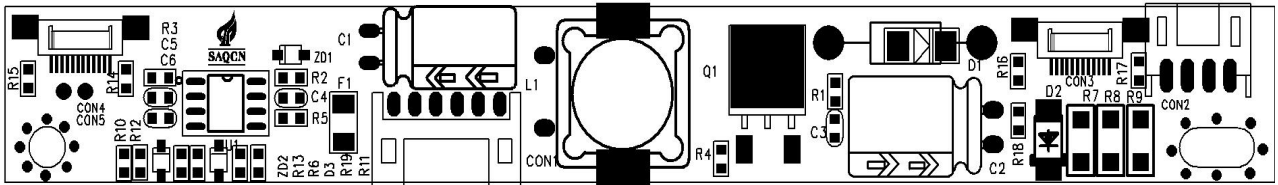
实物图:



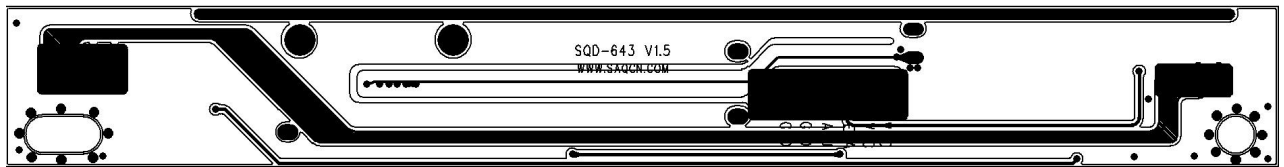
11. Sample Testing Record / 样机测试记录

Testing Date / 测试日期:		Equipments/测试仪器: KPS-3030D / TDS3014 / FLUKE45				
Model / 型号:		Testing Load / 测试负载: Load Module:				
Item / 项目	Testing Conditions / 测试条件	1#				
Input Current 输入电流 I _{in} (A)	V _{in} =12V RL=LED	0°C				
		26°C				
		50°C				
Output Voltage 输出电压 V _o (I _{rms})	V _{in} =12V RL=LED	0°C				
		26°C				
		50°C				
Output Current 输出电流 I _o (mA 总)	V _{in} =12V RL=LED	0°C				
		26°C				
		50°C				
					---	----
					---	---
					----	---
					---	---
					---	---
					---	---

12. PWB Layout Diagram / 线路板印制图



TOPVIEW /顶层



Bottom View /底层

13. Safety Parts List / 安规元件清单

No. 序号	Description 描述	Manufacturer 制造商	File No. 证书编号
1	PCB/印制线路板		
2	Transformer/变压器		
	2.1 Bobbin/骨架		
	2.2 Copper Wire/漆包线		
	2.3 Copper Wire/漆包线		
	2.4 Insulating tape/绝缘胶带		
	2.5 Insulating Varnish/绝缘漆		
3	Connecter/插座		
4	Fuse/保险丝		

14. Abnormal Operating Testing / 非正常工作测试

Damage to the inverter must not occur such as fire, high temperature, breakdown, and molten metal etc, in equipment. 非正常工作条件下，不可出现起火、高温、击穿、出现熔化金属等现象。

15. Notice / 注意事项

A. Please in the crosspiece extension wiring with the high temperature contact, like this do not cause the board to be unable to use normally, also cannot join the wire, so will affect electric circuit's performance.

请勿在联接板的转接线上用高温接触,这样会造成板子无法正常使用,也不能联接导线,如此会影响电路的性能.

B. Based on the security problem, please when assembles this product, do guarantee that in this product and between the complete machine metallic material maintains at least the 4mm above distance, or the use enough insulation grade's insulation material carries on the isolation, avoids the static electricity creating the direct damage to the electric circuit chip.

基于安全问题,请在组装本产品时,确保本产品和整机中的金属材料间保持至少 4mm 以上的距离,或者使用足够绝缘等级的绝缘材料进行隔离,避免静电对电路芯片造成直接的损坏.

C. Don't twist , deform , drop or knock the inverter during assembly.

请在组装本产品时,避免扭曲,弯折,大力碰撞及跌落产生损害。

D. Guarantee to offer ESD shield bag to protect the product from electrostatic or magnetic interference during delivery. Due to the inverter is usually designed without the enclosure. please take care about ESD at anytime .

在产品交付的整个过程中均保证采用 ESD 屏蔽袋包装处理,因为该产品无外壳保护,请务必随时注意防静电措施。

E. This products are not intended for use in systems in which failures of product could result in personal injury.

请勿将本产品使用在非适用范围的产品上,以免造成意外伤害。



All mentioned trademarks are registered by SAQCN.

此份文件中所涉及到的商标属深圳市赛其创新科技有限公司注册商标。